

3P Technik UK Filter System



Innovative Rainwater Harvesting

3P Garden Filter GF

Rainwaterfilter ... for installation in rainwater tanks

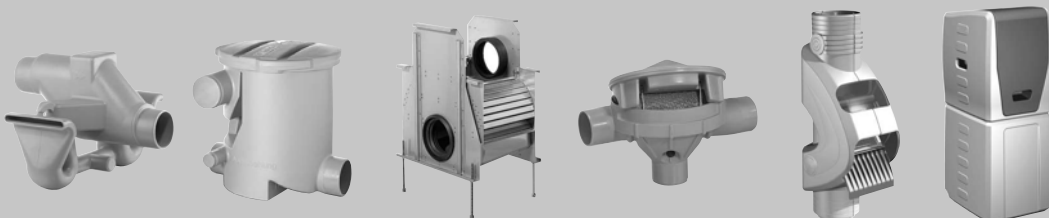
Installation
Installation-Instructions

Operating
Operating-Instructions



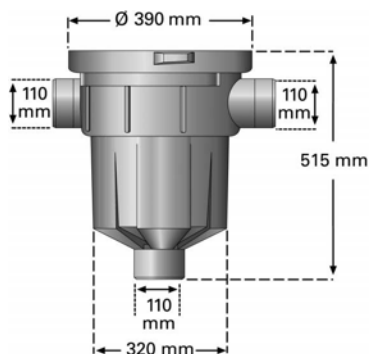
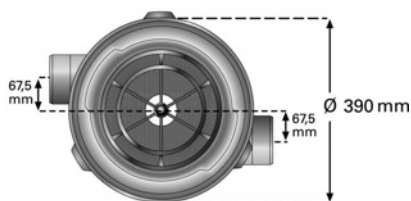
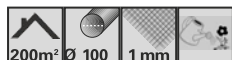
www.3PTechnikuk.com

From our rainwater product range:



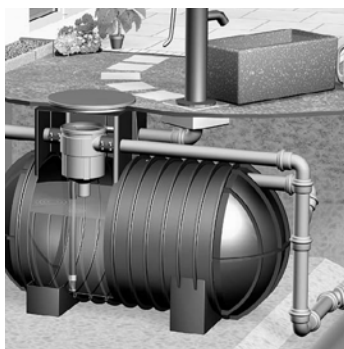
Please read carefully the instructions for installation and handling of your rainwater filter, the 3P Garden Filter GF, and follow the advice.

1. Technical data



2. Installation advice

Installation in **rainwater tank**

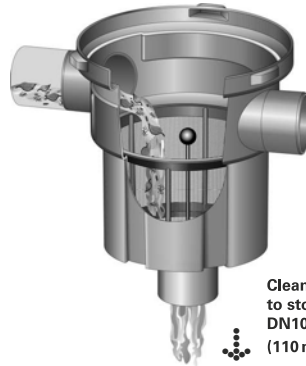


Installation in **soakaway shaft or infiltration system**



3. How it works

Rainwater Inlet
DN100
(110 mm Drain)



Further
rainwater inlet
or emergency
overflow
DN100
(110 mm Drain)

Cleaned water
to storage tank
DN100
(110 mm Drain)

4. Installation advice

4.1 Installation in a rainwater tank

- Set up the inlet with pipe and connector, or pipe socket. – Connect the filter overflow with pipe socket, or with the 3P Rapid Connector onto the overflow of the tank
- Connect the filter outlet to the tank inlet pipe (vertical pipe) with DN100 pipe and a 3P Calmed Inlet.

The 3P Calmed Inlet supports the Filter in the tank. No other support is necessary.



Recommended Accessories

3P Rapid Connector DN100 (for 110 mm pipe)



For a simple and rapid connection of the filter within tanks

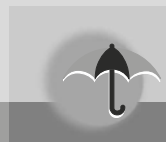
Art.-Nr. 1000210

3P Lid for Garden Filter GF



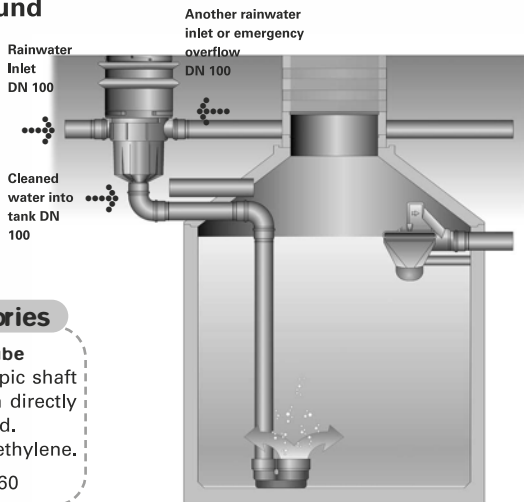
Lid for 3P Garden Filter

Art.-Nr. 1000510



4.2 Installation in the ground

You can also install the 3P Garden Filter GF directly in the ground in advance of the tank



Recommended Accessories

3P Telescopic Extension Tube



Plastic telescopic shaft for installation directly into the ground.
Material: Polyethylene.
Art.-Nr. 1000560

5. Maintenance advice

Regularly monitor the filter insert, and as necessary remove this insert and clean sieve with water and brush.

6. Guarantee

3P Technik Filtersysteme GmbH offers this product with the guarantee regulated by law (from date of purchase)