

3P Technik UK Filter System



Innovative Rainwater Harvesting

3P Patronen Filter PF

Rainwaterfilter for installation in rainwater tanks

Installation
Installation-Instructions

Operating
Operating-Instructions



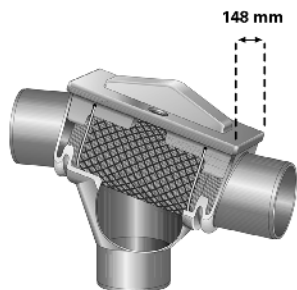
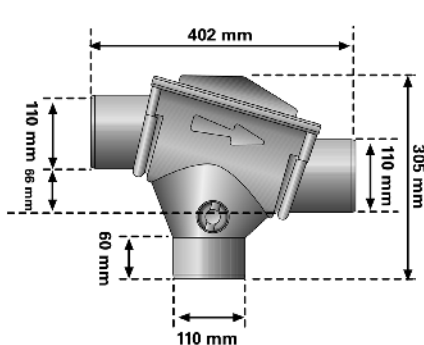
www.3PTechnikuk.com

From our rainwater product range:



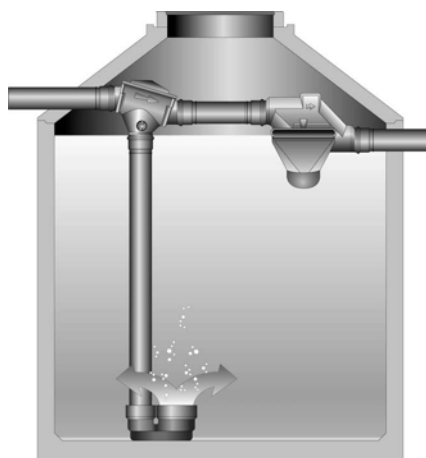
Please read the instructions for installation and handling of your 3P Patrone n Filter ZF rainwater filter carefully, and follow the advice.

1. Technical data



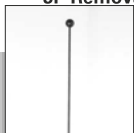
2. Installation advice

The 3P Patrone n Filter is ideally suited for use in conjunction with a 3P Overflow Siphon Duo, for installation in a tank with a height difference between the Inlet and Outlet from 18 cm.



Recommended Accessories

3P Removal Handle



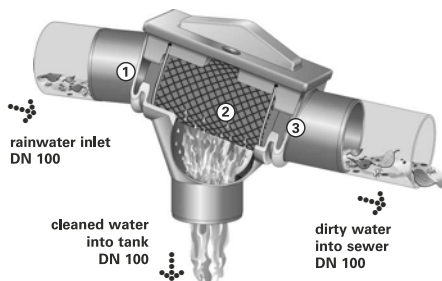
For filter removal in deeper installations.
Length 50 cm.
Material Stainless Steel.
Art.-Nr. 1000550

3P Rapid Connector



For a simple and rapid connection of the filter within tanks
Art.-Nr. 1000210

3. How it works

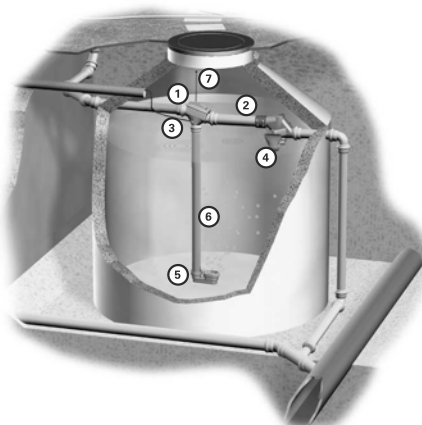


- ① Rainwater is led onto the filter cartridge.
- ② The filter cartridge cleans the rainwater. The cleaned rainwater is led through the calmed flow inlet into the rainwater tank.
- ③ Due to the steep inclination of the filter and its smooth surface structure the dirt is quickly rinsed away into the sewer.

4. Installation advice

- Connect up the Inlet with a socket pipe connection, or a connector piece.
- Connect the Overflow to the Tank Overflow Outlet or to a 3P Overflow Siphon Duo with a socket connector pipe, or use a 3P Rapid Connector.
- Connect a Calmed Flow Inlet via a vertical pipe, cut to the required length. The PF Filter can be fully supported by this standing pipe and 3P Calmed Inlet.

5. 3P Patronen Filter in tank



- ① 3P Patronen Filter with:
- ② – 3P Rapid Connector
- ③ – Connection for optional 3P Backwashing Device
- ④ – 3P Overflow Siphon Duo
- ⑤ – 3P Calmed Flow Inlet
- ⑥ – Standing Pipe
- ⑦ – 3P Removal Device

3P Backwashing Device PF



- + Backwashing Device
- + Profi Connection Set

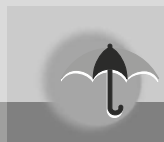
Art.-Nr. 1000355

3P Automatic Backwashing Device PF



- + Backwashing Device
- + Profi Connection Set
- + Programmable Timing Device

Art.-Nr. 1000356



6. Maintenance advice

Monitor the filter condition regularly.

Maintenance inspections are especially useful in spring and autumn, and after long dry periods!

When testing the sieve, examine the filter by holding up against the light and inspect for any blocked holes in the filter mesh.

As necessary clean the filter with a brush, using a little washing up liquid to help dissolve any fatty deposits or hydrocarbon build up.

You may also put the filter insert into a dishwasher.

The filter insert is made of stainless steel.

With slightly inclined filters, like the Patronen Filter, a streak of dirt may build up which dries out after a while. The dirt then peels away or breaks off and with the next rain shower it is rinsed away.

Use of the Optional Backwashing Device (see page 3)!

The filter is simply and easily cleaned with the backwashing device.

A small jet nozzle is installed below the filter sieve.

In the 3P Patronen Filter the filter cartridge rotates rapidly during rinsing.

The strong jet of water rinses the mesh effectively and dislodges the dirt and also the filter cartridge is typically left in an alternate position.

3P Backwashing Device PF



7. Guarantee

3P Technik Filtersysteme GmbH offers this product the guarantee required by law (from date of purchase).